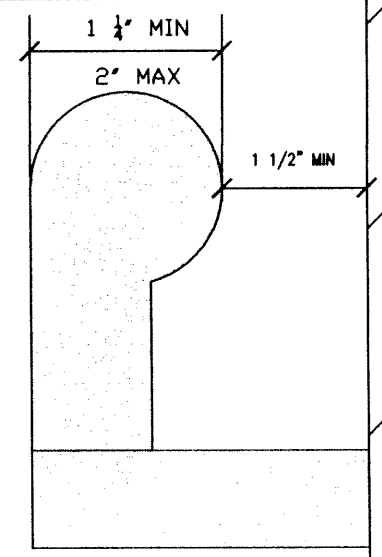
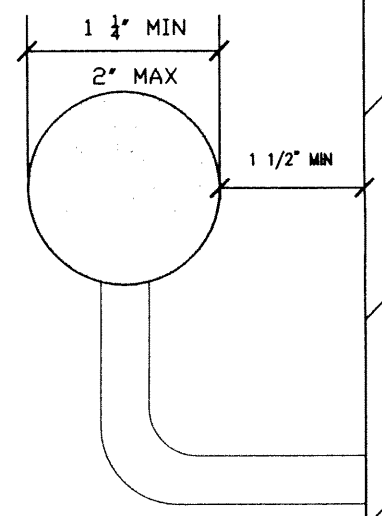


If the handrail is not circular, it shall have a perimeter dimension of at least 4 inches and not greater than 6.25 inches with a maximum cross-section dimension of 2.25 inches. Edges shall have a minimum radius of 0.01 inch.



**CITY OF HOUSTON**  
 Department of Public Works and Engineering  
**HANDRAIL DETAILS**  
 (RESIDENTIAL & COMMERCIAL)