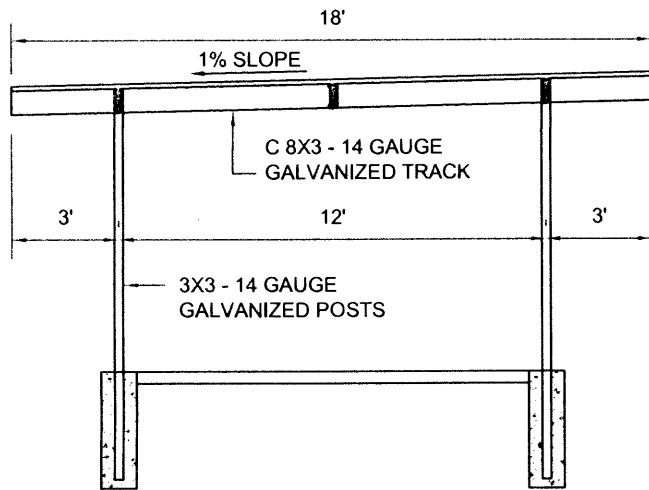
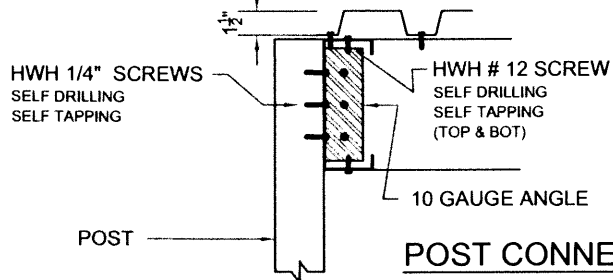


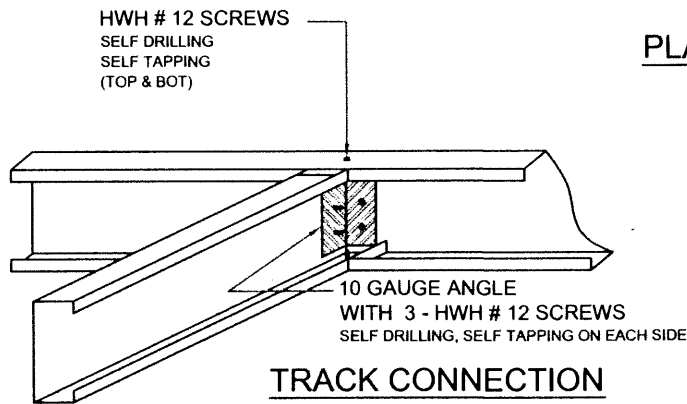
**FRONT ELEVATION**



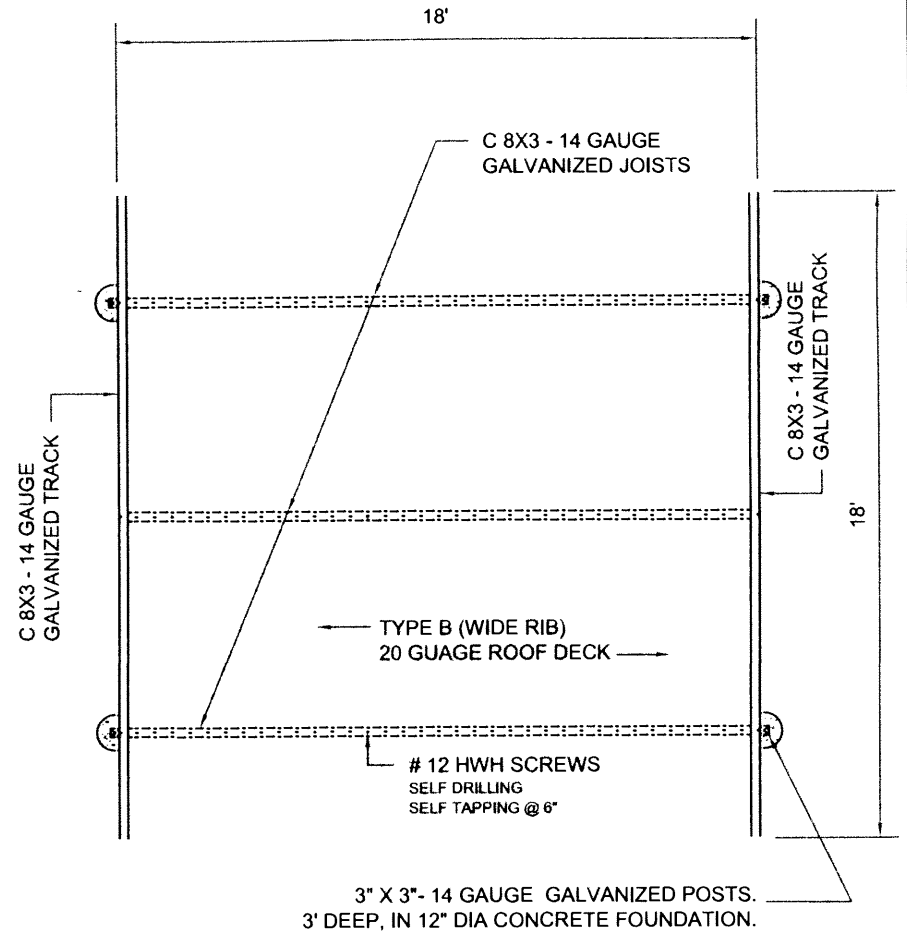
**SIDE ELEVATION**



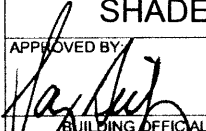
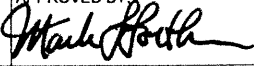
**POST CONNECTION**



**TRACK CONNECTION**



**PLAN VIEW**

<b>CITY OF HOUSTON</b> Department of Public Works and Engineering	
<b>RESIDENTIAL STEEL SHADE STRUCTURE</b>	
APPROVED BY:  BUILDING OFFICIAL	APPROVED BY:  CITY ENGINEER
DATE: 2/1/10	DWG No: 10R01
1 of 1	