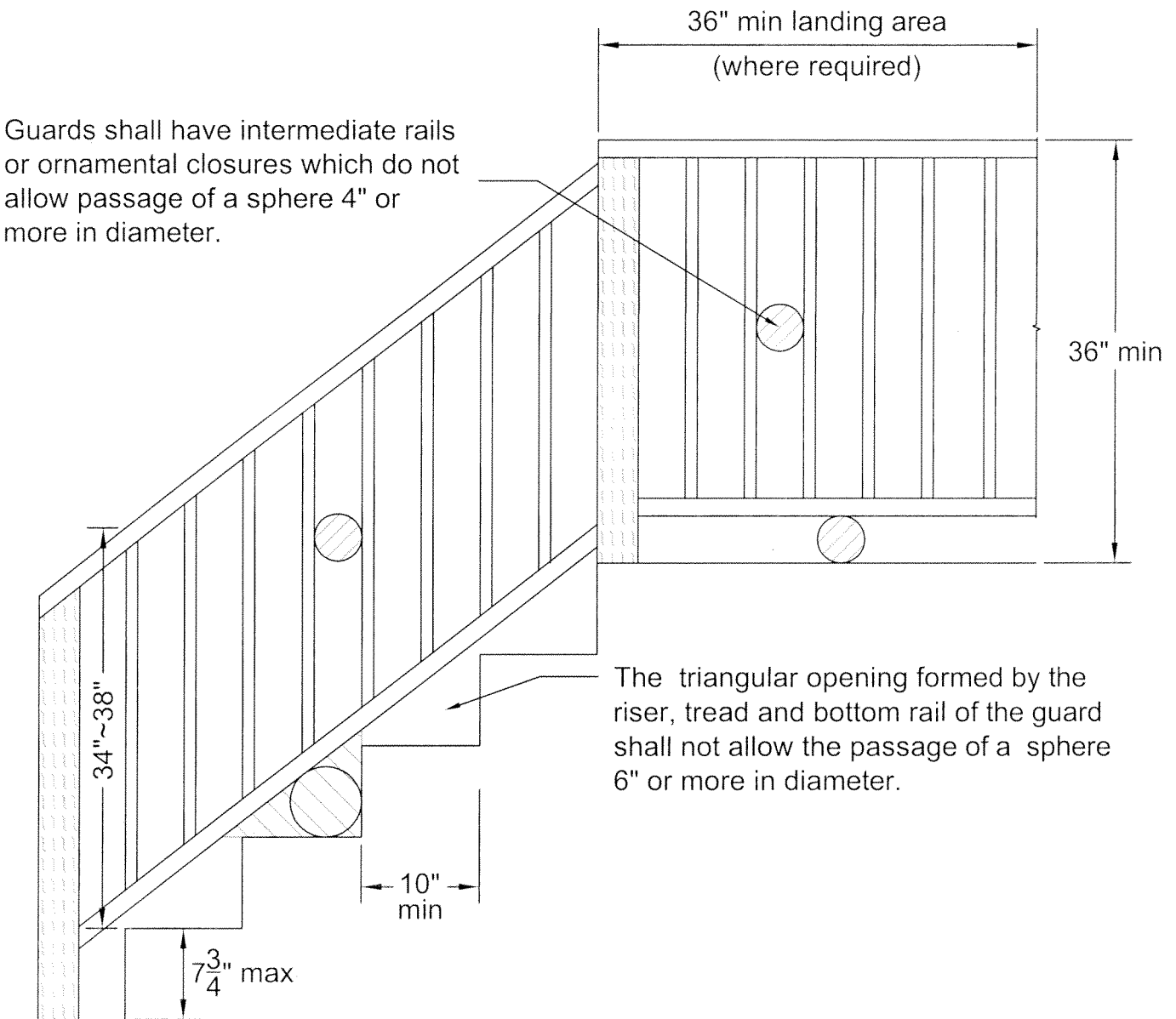


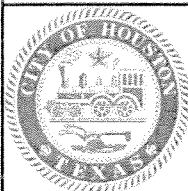
Guards shall have intermediate rails or ornamental closures which do not allow passage of a sphere 4" or more in diameter.



The triangular opening formed by the riser, tread and bottom rail of the guard shall not allow the passage of a sphere 6" or more in diameter.

Notes:

1. Individual stair treads shall be designed for a uniformly distributed live load of 40 psf or a 300 pound concentrated load acting over an area of 4 square inches, whichever produces the greater stress.
2. Guardrails and handrails shall be designed for a single concentrated load of 200 pound applied in any direction at any point along the top.



STANDARD DRAWING

CITY OF HOUSTON
DEPARTMENT OF PUBLIC
WORKS & ENGINEERING

RESIDENTIAL STAIR DETAILS

1002 WASHINGTON AVE., HOUSTON, TEXAS 77002

APPROVED BY:

BUILDING OFFICIAL

Tom Casey

DATE: 01/22/13

DWG NO: 13-02-R

1 OF 1