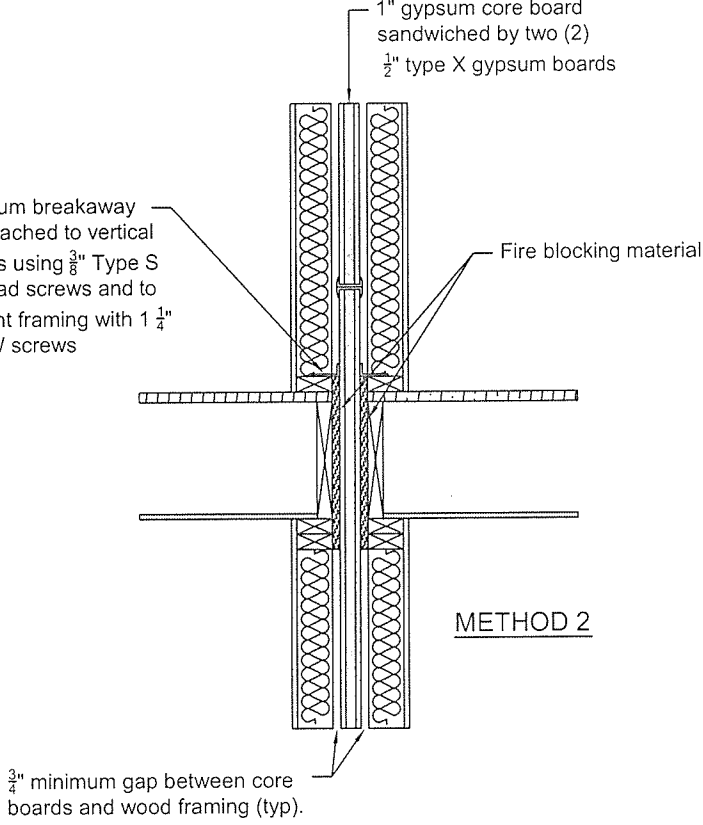
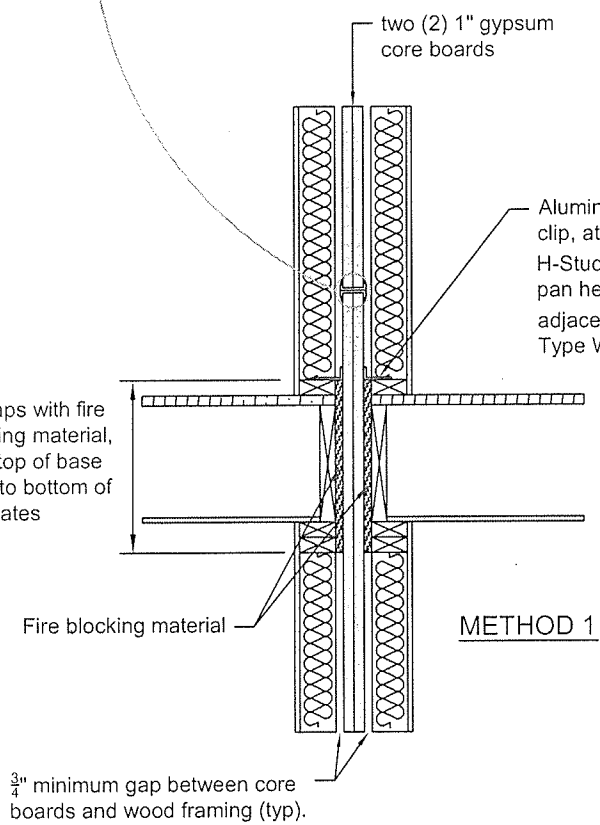
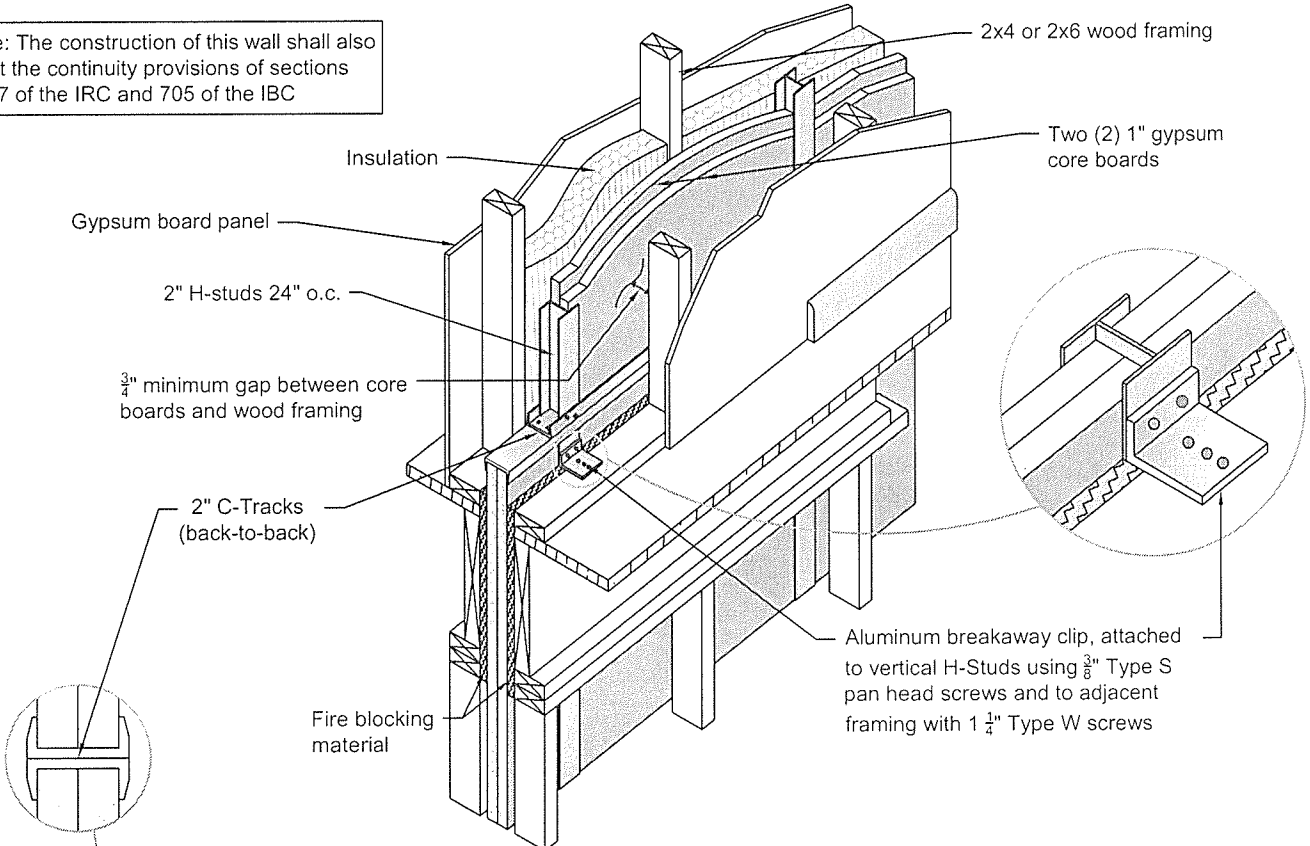


Note: The construction of this wall shall also meet the continuity provisions of sections R317 of the IRC and 705 of the IBC



STANDARD DRAWING
CITY OF HOUSTON
 DEPARTMENT OF PUBLIC
 WORKS & ENGINEERING

2-HOUR FIRE WALL
 1002 WASHINGTON AVE., HOUSTON, TEXAS 77002

APPROVED BY:
[Signature]
 BUILDING OFFICIAL
 DATE: 3 / 3 / 2015 DWG No: 15-02-C 1 of 1