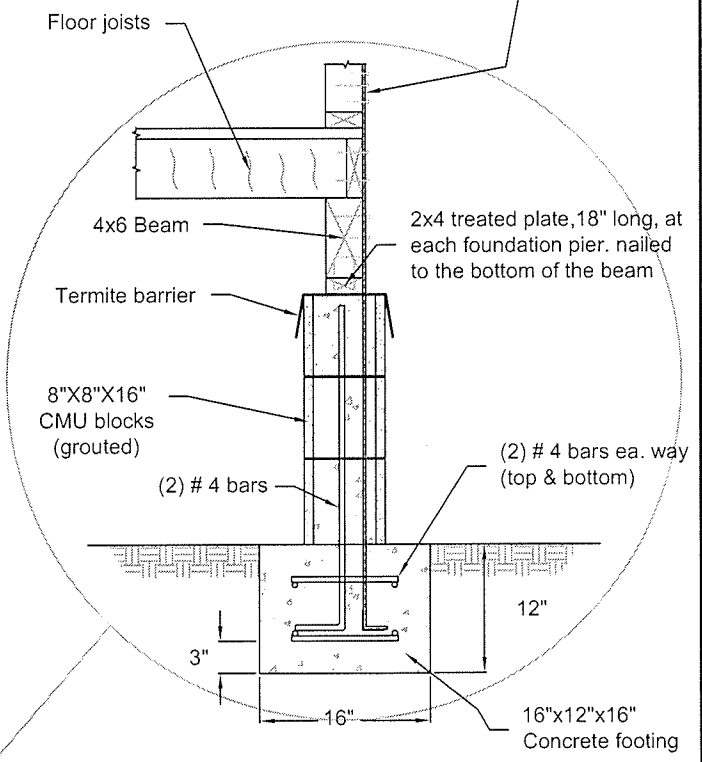
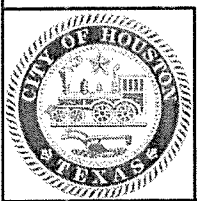


Galvanized or stainless steel straps,  
minimum  $2 \frac{1}{8}$ " wide, 12 gauge, embedded  
in concrete & nailed with 10-10d nails



**Notes:**

1. Provide hurricane strapping as per Appendix L of the City of Houston Residential Code.
2. The under-floor grade shall be cleaned of all vegetation and organic material (section R408.5).
3. All exterior footings shall be placed at least 12 inches below the undisturbed ground surface (section R 403.1.4).



STANDARD DRAWING  
**CITY OF HOUSTON**  
DEPARTMENT OF PUBLIC  
WORKS & ENGINEERING

**BLOCK & BASE FOUNDATIONS  
DETAILS, USING 4x6 BEAMS**  
1002 WASHINGTON AVE., HOUSTON, TEXAS 77002

APPROVED BY:  
*[Signature]*  
BUILDING OFFICIAL  
DATE: 9-9-2015    DWG NO: 15-05-R    1 OF 1