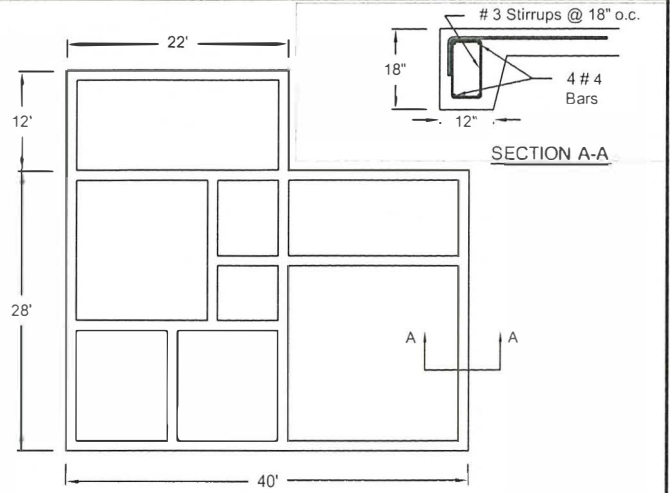
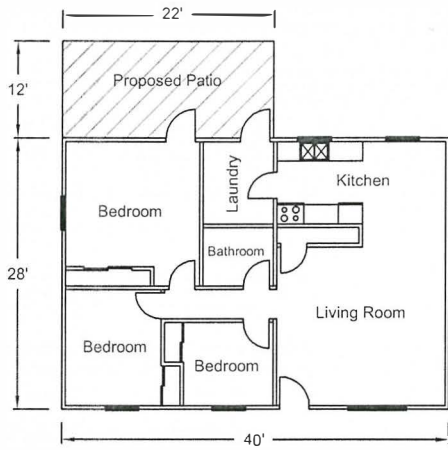


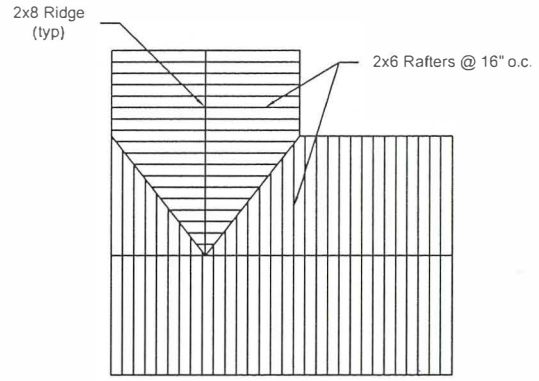
SITE PLAN



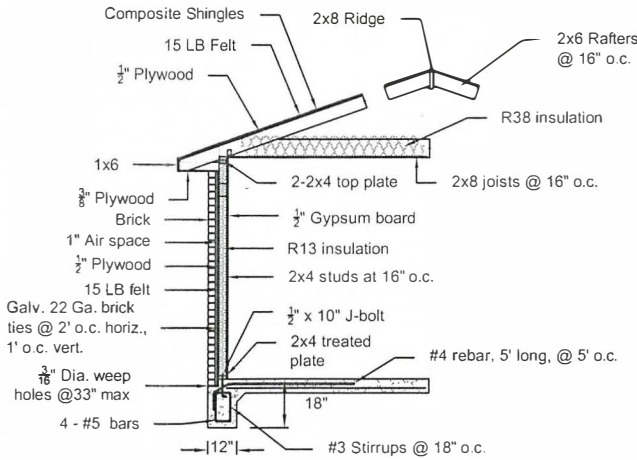
FOUNDATION PLAN



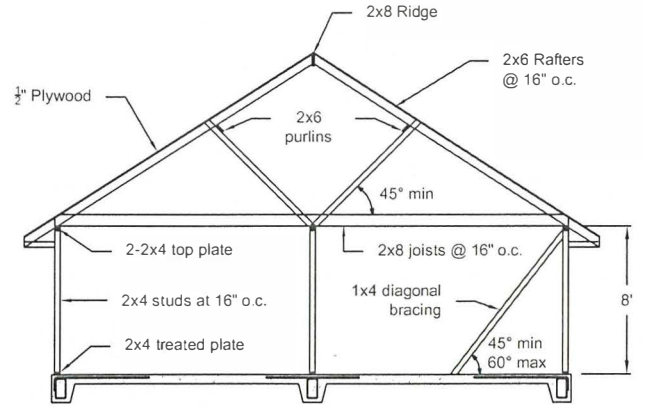
FLOOR PLAN



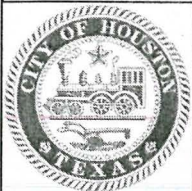
ROOF PLAN



TYPICAL WALL SECTION



ROOF AND FRAMING DETAILS



STANDARD DRAWING

CITY OF HOUSTON
DEPARTMENT OF PUBLIC
WORKS & ENGINEERING

EXAMPLES OF REQUIRED PLANS
(RESIDENTIAL INFORMATION PACKAGE-1)

1002 WASHINGTON AVE., HOUSTON, TEXAS 77002

APPROVED BY:
[Signature]
BUILDING OFFICIAL

DATE: 1/5/2017 DWG No: 17-01-R 1 of 1