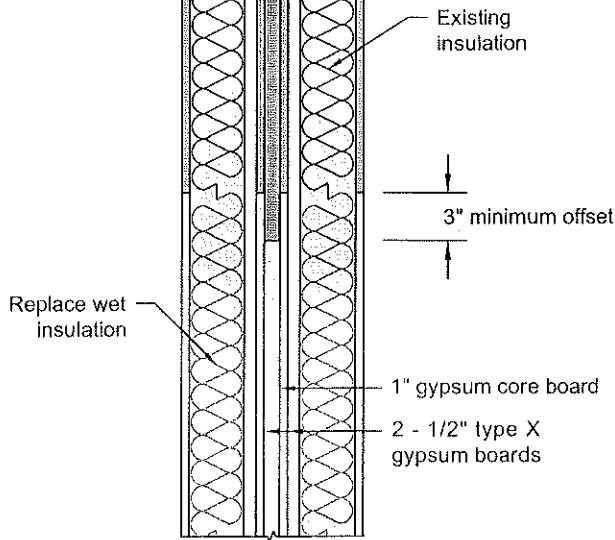
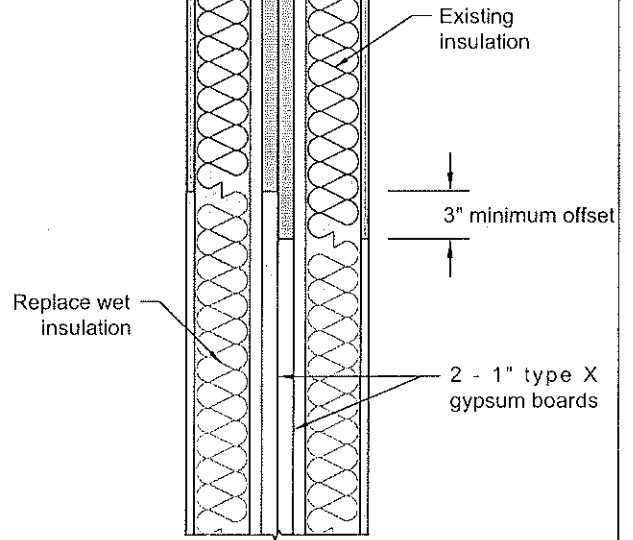


Gap between core boards and wood framing

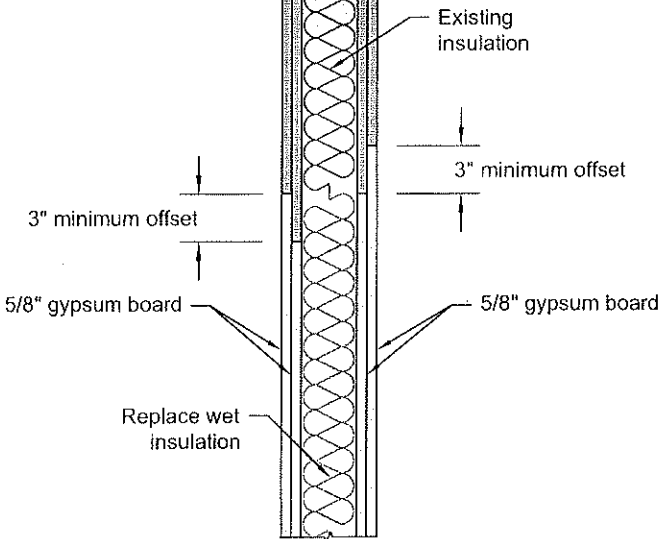


1" GYPSUM CORE BOARD SANDWICHED BY 2 - 1/2" TYPE X GYPSUM BOARDS

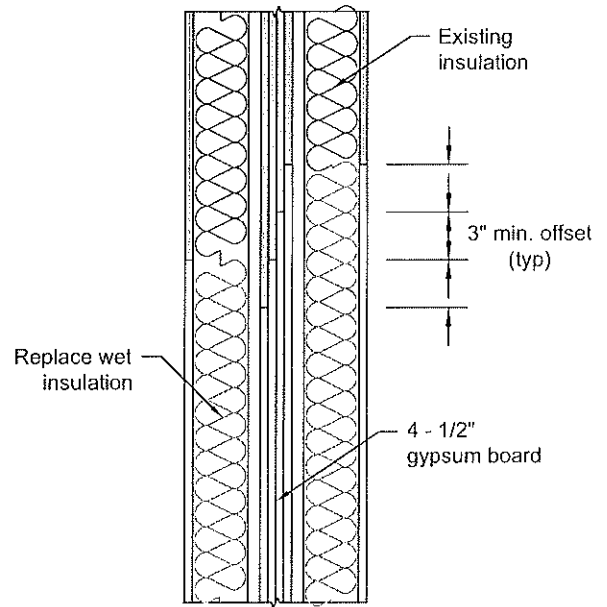
Gap between core boards and wood framing



TWO (2) 1" GYPSUM CORE BOARDS



TWO (2) 5/8" GYPSUM BOARDS ON EACH SIDE



4 - 1/2" GYPSUM BOARDS



STANDARD DRAWING

CITY OF HOUSTON
DEPARTMENT OF PUBLIC
WORKS & ENGINEERING

REPAIR OF FLOODED
2-HOUR FIRE WALLS

1002 WASHINGTON AVE., HOUSTON, TEXAS 77002

APPROVED BY:

BUILDING OFFICIAL

DATE:
9/20/2017

DWG No:
17-10-C

1 of 1