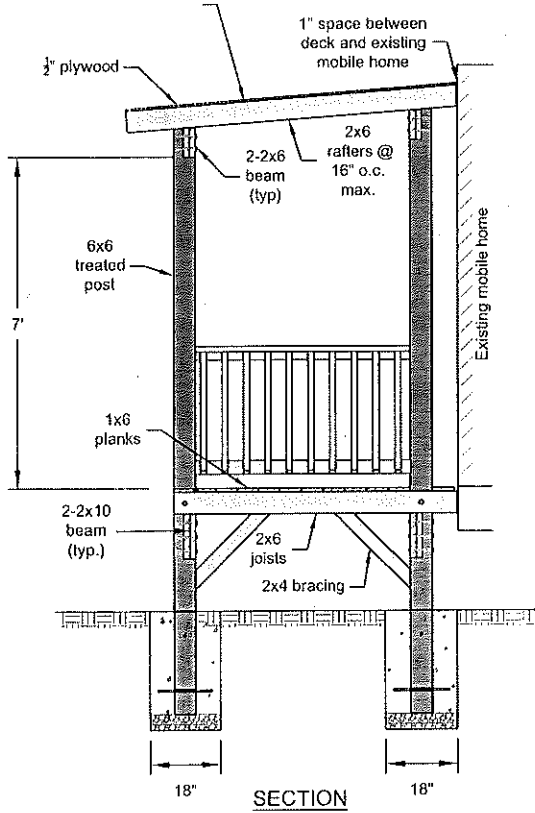
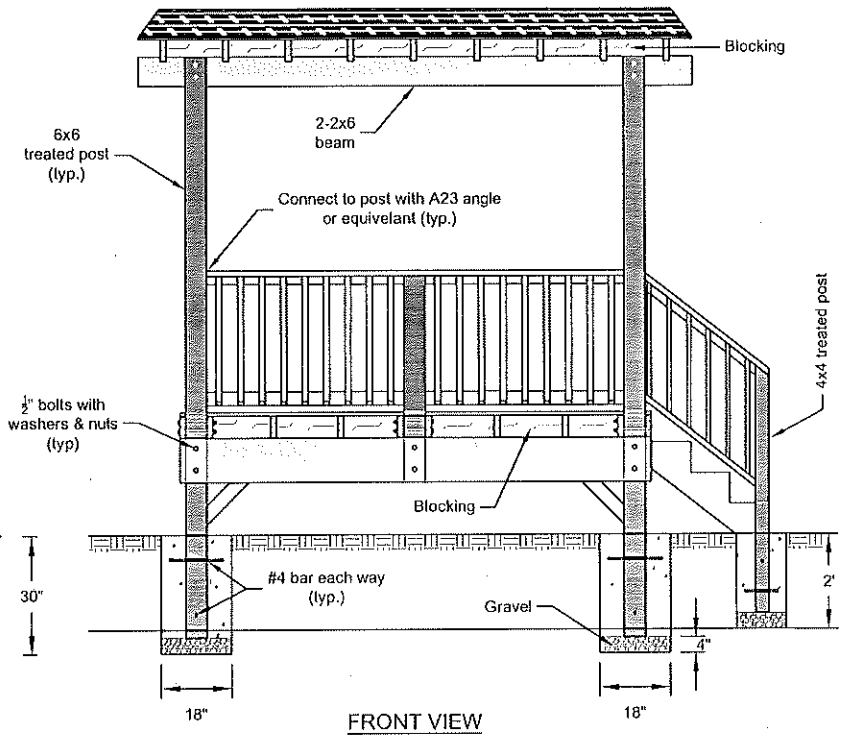


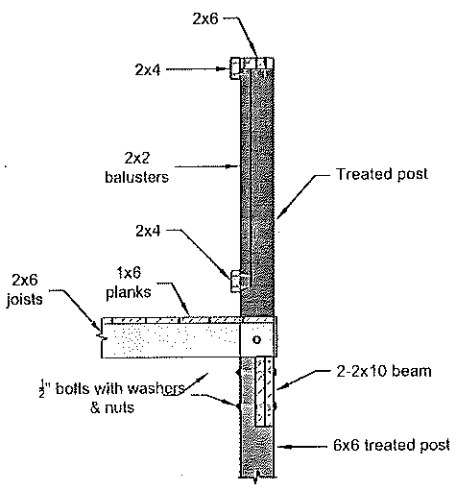
For roof slopes of 4:12 or greater, 1 layer of 15 LB felt
 For roof slopes from 2:12 to 4:12, 2 layers of 15 LB felt
 For roof slopes under 2:12, asphalt shingles are not allowed,
 other roofing material shall be used as per the code.



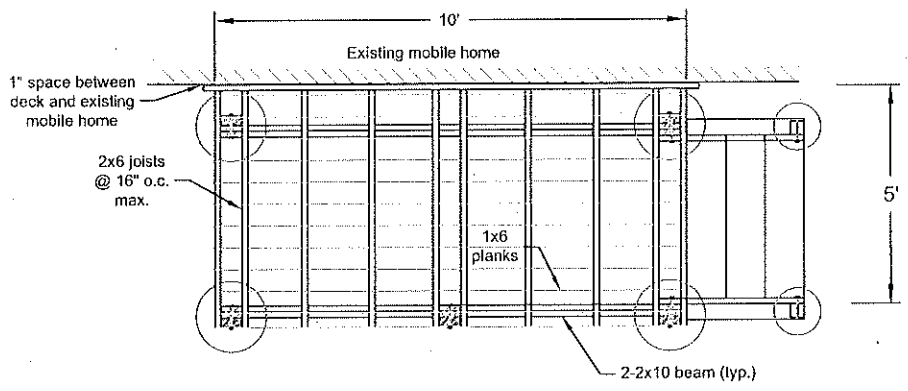
SECTION



FRONT VIEW



GUARDRAIL SECTION



PLAN VIEW

NOTES:


- Lumber shall be preservative-treated wood suitable for ground contact and deck construction, SYP #2 or better.
- All cuts shall be field treated with an approved preservative.
- Concrete compressive strength shall be at least 2500 psi @ 28 days.
- All screws, bolts, washers, nuts and nails shall be hot-dipped zinc-coated galvanized steel.
- For stairs and guardrail details refer to drawings numbers 08C02 and 13-02-R.

(N.T.S.)



STANDARD DRAWING
CITY OF HOUSTON
 DEPARTMENT OF PUBLIC
 WORKS & ENGINEERING

MOBILE HOME DECK
 1002 WASHINGTON AVE., HOUSTON, TEXAS 77002

APPROVED BY:

 BUILDING OFFICIAL
 DATE: 10/2/2017 DWG No: 17-11-R 1 of 1