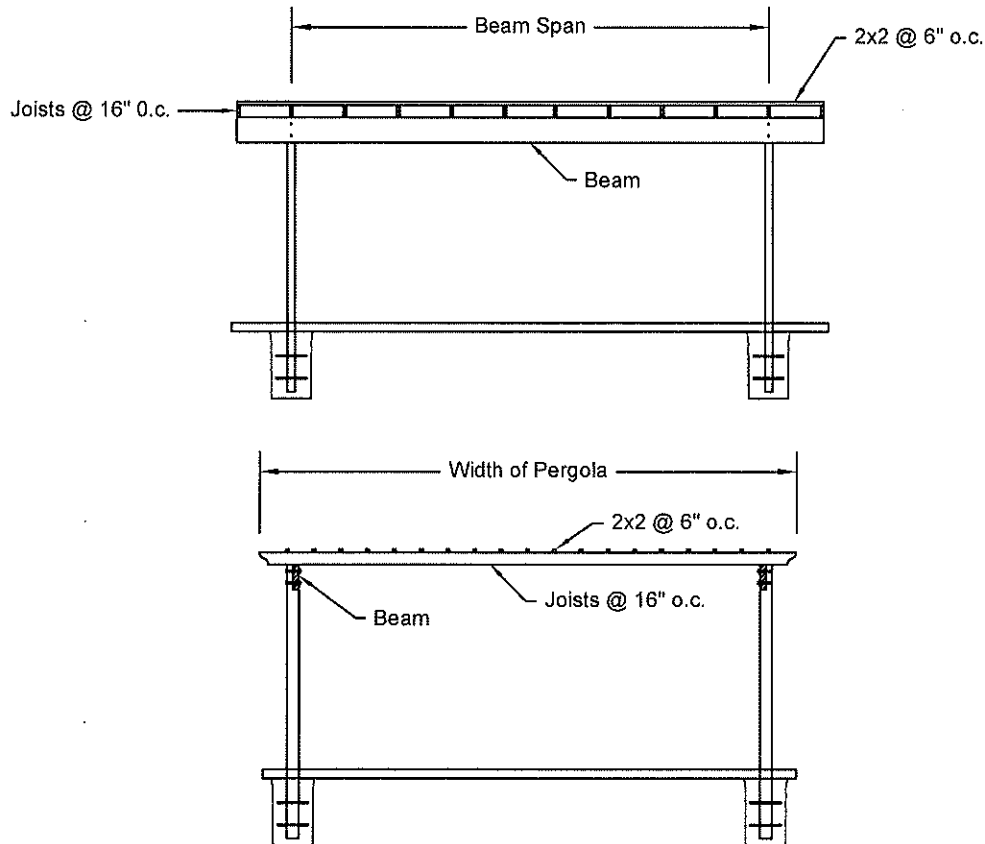


# PERGOLA SPAN TABLES

| MAXIMUM JOIST SPAN, ft. |       |       |        |        |        |
|-------------------------|-------|-------|--------|--------|--------|
| Joist size              | 2 x 4 | 2 x 6 | 2 x 8  | 2 x 10 | 2 x 12 |
| Cedar                   | 9'    | 14'   | 16'    | 17'-6" | 18'-6" |
| SYP                     | 10'   | 15'   | 17'-3" | 19'    | 20'    |

| MAXIMUM BEAM SPAN, ft. (For up to 16' wide pergolas) |       |           |       |           |       |           |        |            |        |            |
|--|-------|-----------|-------|-----------|-------|-----------|--------|------------|--------|------------|
| Beam size  | 2 x 4 | 2 - 2 x 4 | 2 x 6 | 2 - 2 x 6 | 2 x 8 | 2 - 2 x 8 | 2 x 10 | 2 - 2 x 10 | 2 x 12 | 2 - 2 x 12 |
| Cedar  | 5'    | 7'        | 7'-3" | 10'-6"    | 9'-3" | 13'-3"    | 11'-3" | 16'        | 13'-3" | 18'-6"     |
| SYP  | 5'-3" | 7'-3"     | 7'-9" | 10'-9"    | 9'-9" | 13'-9"    | 11'-6" | 16'        | 13'-6" | 18'-9"     |

| MAXIMUM BEAM SPAN, ft. (For up to 20' wide pergolas) |       |           |       |           |       |           |        |            |        |            |
|--|-------|-----------|-------|-----------|-------|-----------|--------|------------|--------|------------|
| Beam size  | 2 x 4 | 2 - 2 x 4 | 2 x 6 | 2 - 2 x 6 | 2 x 8 | 2 - 2 x 8 | 2 x 10 | 2 - 2 x 10 | 2 x 12 | 2 - 2 x 12 |
| Cedar  | 4'-6" | 6'-3"     | 6'-6" | 9'-3"     | 8'-3" | 11'-9"    | 10'-3" | 14'-3"     | 11'-9" | 16'-6"     |
| SYP  | 4'-6" | 6'-6"     | 7'    | 9'-9"     | 8'-9" | 12'-3"    | 10'-6" | 14'-6"     | 12'-3" | 17'        |



**Notes:**

1. Live Load = 5 psf. (Table 1607.1, Awnings and Canopies). *No decking or roofing allowed; roof shall remain open.*
2. Use # 2 or higher grade.
3. Drawing is for reference only. Design shall be submitted separately.



STANDARD DRAWING

**CITY OF HOUSTON**  
HOUSTON PUBLIC WORKS  
BUILDING CODE ENFORCEMENT

PERGOLA SPAN TABLES

1002 WASHINGTON AVE., HOUSTON, TEXAS 77002

APPROVED BY:

BUILDING OFFICIAL

DATE:  
5-2-2018

DWG No:  
18-05-R

1 of 1