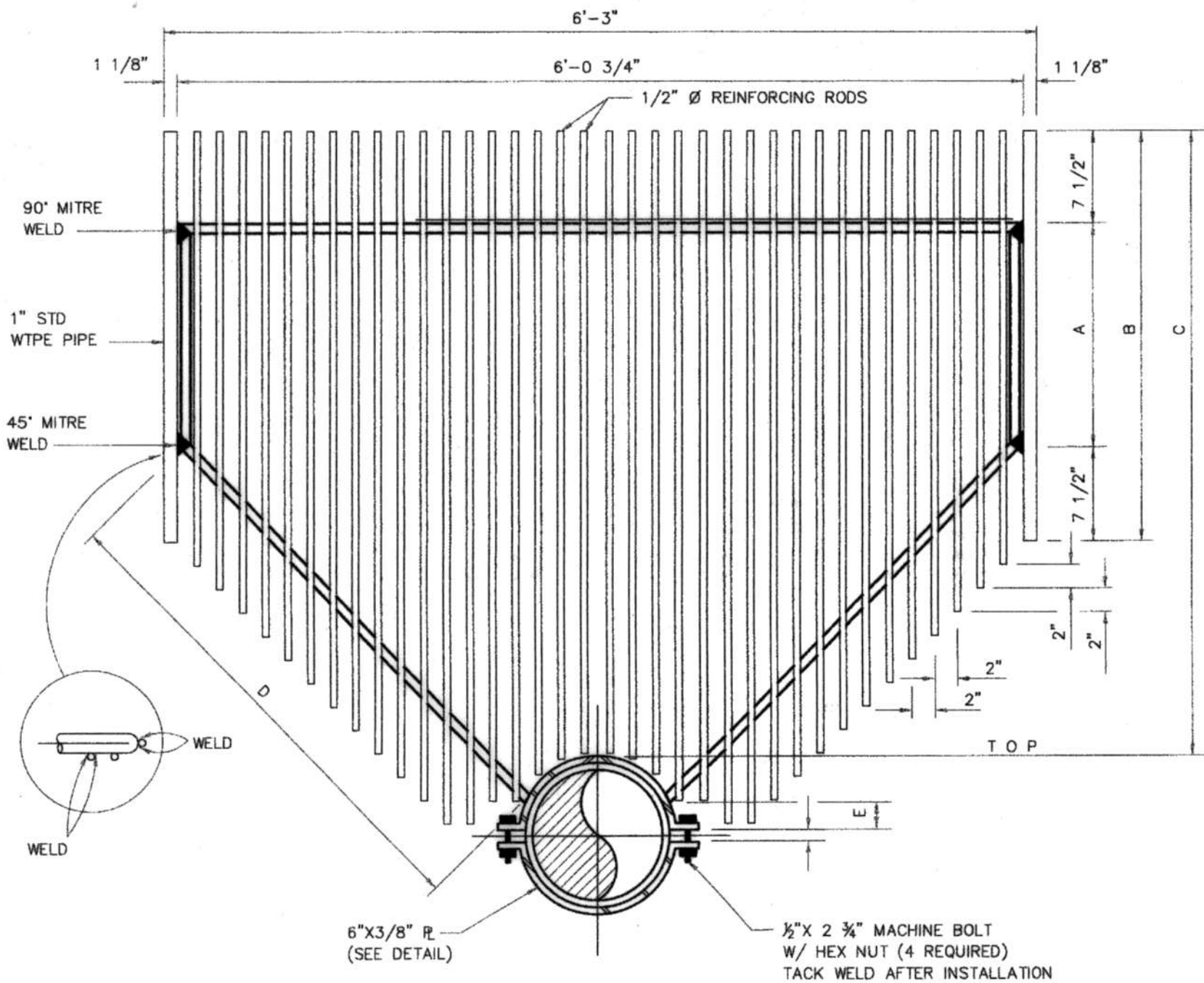


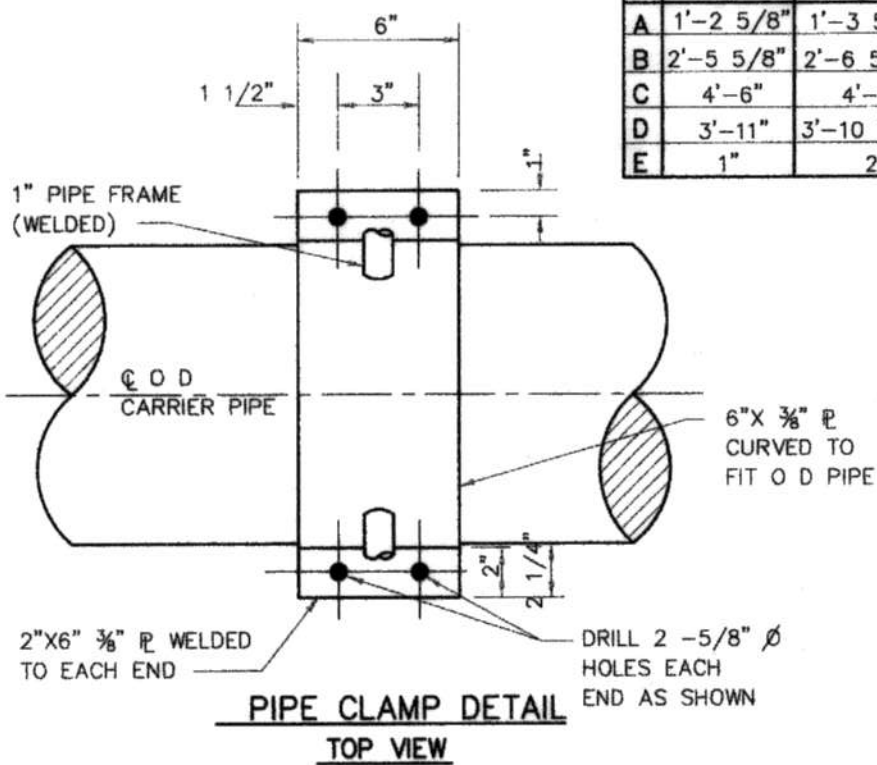
NOTE:

PIPE GUARD TO BE PAINTED IN ACCORDANCE WITH CURRENT SPECIFICATIONS FOR "PAINTING STEEL CARRIER PIPE".



PIPE GUARD DETAIL

TABLE OF DIMENSIONS FOR VARIOUS PIPE SIZES								
	6"	8"	12"	16"	20"	24"	30"	36"
A	1'-2 5/8"	1'-3 5/8"	1'-7 3/4"	1'-11 1/4"	2'-3 1/4"	2'-7 1/4"	3'-1 3/8"	3'-7 1/8"
B	2'-5 5/8"	2'-6 5/8"	2'-10 3/4"	3'-2 1/4"	3'-6 1/8"	3'-10 1/4"	4'-4 3/8"	4'-10 1/8"
C	4'-6"	4'-6"	4'-6 1/8"	4'-6 1/8"	4'-6 1/8"	4'-6 1/4"	4'-6 1/4"	4'-6 1/4"
D	3'-11"	3'-10 1/8"	3'-6 7/8"	3'-5 1/4"	3'-2 3/8"	2'-11 1/2"	2'-7 1/4"	2'-3 3/8"
E	1"	2"	2"	2"	2"	2"	2"	2"



**PIPE CLAMP DETAIL
TOP VIEW**

CITY OF HOUSTON DEPARTMENT OF PUBLIC WORKS AND ENGINEERING	
STANDARD PIPE GUARD (NOT TO SCALE)	
APPROVED BY: <i>[Signature]</i> CITY ENGINEER	APPROVED BY: <i>[Signature]</i> DIRECTOR OF PUBLIC WORKS AND ENGINEERING
EFF DATE: JUL-01-2010	DWG NO: 02502-01